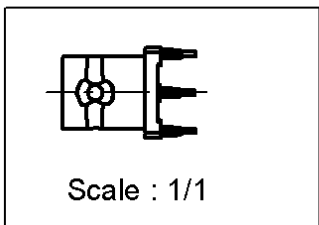
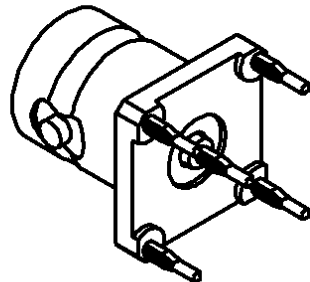
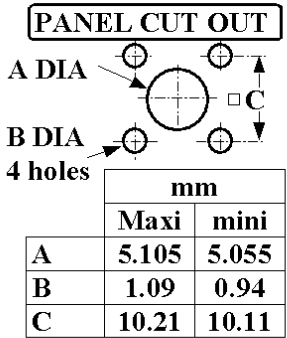
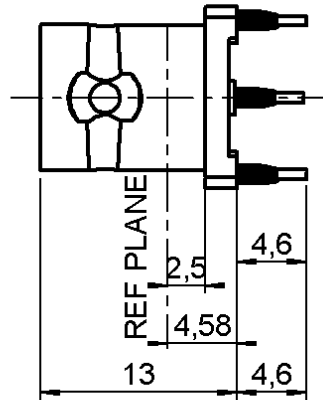
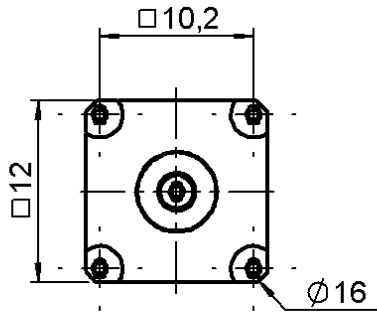


**STRAIGHT FEMALE RECEPTACLE FOR PCB**

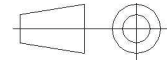
**R141.416.000**

**PRESS FIT LEGS**

Series : **BNC**



All dimensions are in mm.



COMPONENTS	MATERIALS	PLATINGS (µm)
BODY	BRASS	NICKEL 2
CENTER CONTACT	BERYLLIUM COPPER	GOLD 0.5 OVER NICKEL 2
OUTER CONTACT	-	-
INSULATOR	PTFE	-
GASKET	-	-
OTHERS PARTS	PHOSPHOR BRONZE	TIN 3 OVER NICKEL 2
-	-	-
-	-	-

Issue : 0540 B

In the effort to improve our products, we reserve the right to make changes judged to be necessary.



**STRAIGHT FEMALE RECEPTACLE FOR PCB**

**R141.416.000**

**PRESS FIT LEGS**

Series : **BNC**

**PACKAGING**

**SPECIFICATION**

Standard	Unit	Other
<b>100</b>	<b>'W' option</b>	<b>Contact us</b>

**ELECTRICAL CHARACTERISTICS**

**ENVIRONMENTAL**

Impedance		<b>50</b> Ω
Frequency		<b>0-4</b> GHz
VSWR	<b>1.06</b> * +	<b>0.006</b> x F(GHz) Maxi
Insertion loss		<b>.025*</b> √F(GHz) dB Maxi
RF leakage	- (	<b>57</b> - F(GHz)) dB Maxi
Voltage rating		<b>500</b> Veff Maxi
Dielectric withstanding voltage		<b>1500</b> Veff mini
Insulation resistance		<b>5000</b> MΩ mini

Operating temperature	<b>-40/+85</b> ° C
Hermetic seal	<b>NA</b> Atm.cm3/s
Panel leakage	<b>NA</b>

**OTHERS CHARACTERISTICS**

Assembly instruction **NA**

Others :

\* Coaxial Transmission Line Only

**MECHANICAL CHARACTERISTICS**

Center contact retention		
Axial force – Mating end	<b>18</b>	N mini
Axial force – Opposite end	<b>18</b>	N mini
Torque	<b>NA</b>	N.cm mini
Recommended torque		
Mating	<b>NA</b>	N.cm
Panel nut	<b>NA</b>	N.cm
Mating life	<b>500</b>	Cycles mini
Weight	<b>9.000</b>	g

Issue : 0540 B

In the effort to improve our products, we reserve the right to make changes judged to be necessary.



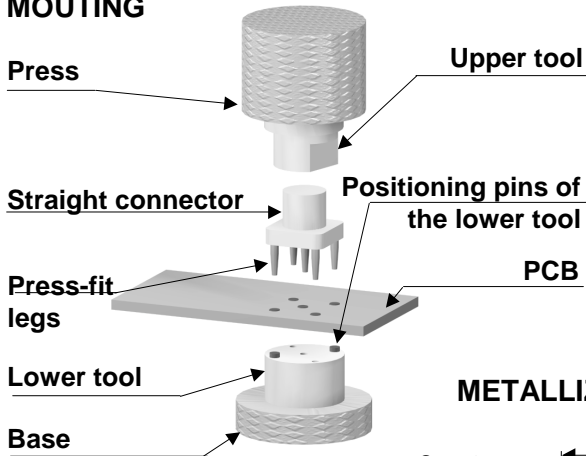
**STRAIGHT FEMALE RECEPTACLE FOR PCB**

**R141.416.000**

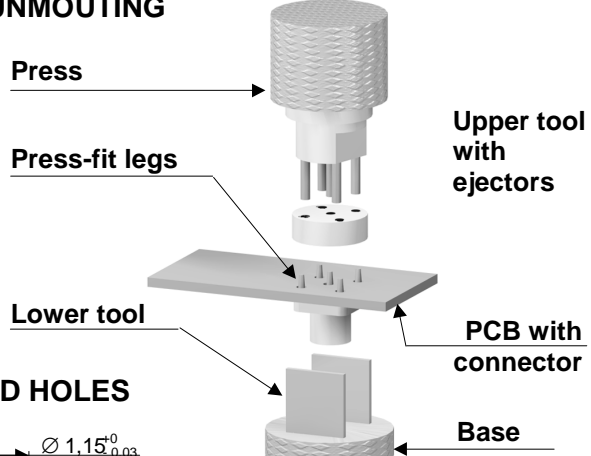
**PRESS FIT LEGS**

Series : BNC

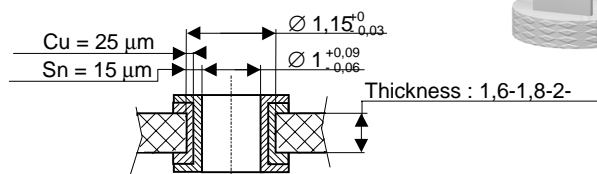
**MOUNTING**



**UNMOUNTING**

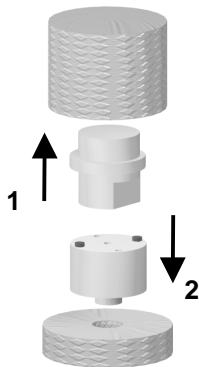


**METALLIZED HOLES**



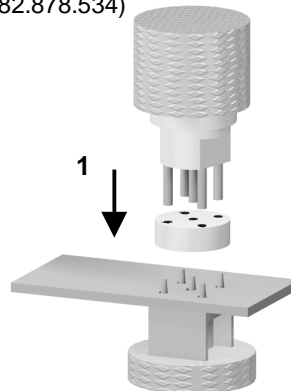
**1**

Slide the upper tool into the machine (press).  
Slide the lower tool ( R282.878.524) into the base.



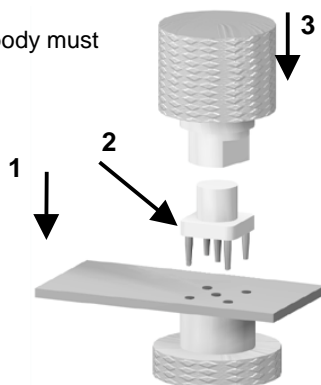
**1**

Place correctly the PCB and the connector on the lower tool.( R282.878.534)



**2**

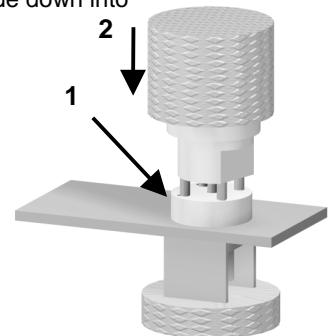
Place correctly the PCB on the lower tool.  
Introduce the press-fit legs into the holes of the PCB.  
Push on top (100N mini per press-fit leg) until total insertion.  
Note: the connector body must rest on the PCB.



**2**

Place the upper tool ( R282.878.514) at the back of the connector and place correctly the ejectors :  
- on the press-fit legs (if their length exceed the PCB thickness)  
- in the holes of the PCB (if not).  
Press the upper tool (100N mini per press-fit leg) to remove the connector until it slide down into the lower tool.

**CAUTION :**  
A plated hole of the PCB can be used up to 3 times.



Issue : 0540 B

In the effort to improve our products, we reserve the right to make changes judged to be necessary.

